

**Lifetime  
Warranty!**

**READ THESE INSTRUCTIONS  
BEFORE USING THIS GUN**



**Patriot 45**



**Patriot 9 or 380**



**Patriot Series Manual**

**Proudly 100% MADE IN THE USA.**

## Patriot Series Specifications

Action Type: Semiautomatic, Locked Breech Conventional Double Action

	<b>Patriot 9 or 380</b>	<b>Patriot 45</b>
<b>Caliber</b>	9mm or .380	.45 ACP
<b>Overall Length</b>	6 inches	6 inches
<b>Overall Height</b>	4 3/4 inches	4 3/4 inches
<b>Barrel Length</b>	3.3 inches	3.3 inches
<b>Weight</b>	17.5 ounces	18.6 ounces
<b>Sight</b>	Fixed	Rear Drift Adjustable
<b>Frame</b>	Aluminum	Black Polymer
<b>Grip</b>	Black Polymer	Black Polymer
<b>Slide</b>	Black Stainless Brushed Stainless Polished Stainless	Black Stainless Brushed Stainless Polished Stainless
<b>Mag. Capacity</b>	10 + 1	6 + 1 (7+1 also available)

## **GUN SAFETY WARNINGS**

*Failure to follow these gun safety warnings may result in injury or death to you or others.*

*All firearms should be handled with intense respect for their power and potential danger.*

## **GUN SAFETY WARNINGS**

### ***Safety Is Your Responsibility***

The number one concern of every firearm owner should be safety. Always follow all of the safety rules with any firearm. If you have any questions about any functional aspects of your firearm, please contact Cobra technical department at (801)908-8300, or [tech@cobrapistols.net](mailto:tech@cobrapistols.net) before proceeding with operating your firearm.

## **WARNING**

DO NOT handle this firearm until you understand its correct operation. Firearms are all designed differently with different mechanical features. It is VERY important that you fully understand the safe handling and functions of this or any other firearm before handling. If you have any questions as to the safe handling of this firearm please call Cobra Enterprises of Utah at (801)908-8300 for assistance, or email [tech@cobrapistols.net](mailto:tech@cobrapistols.net).

## **WARNING**

ALWAYS use proper shooting glasses and hearing protection to prevent eye injuries or hearing damage. Always be sure that others in your surrounding area are also protected.

## **WARNING**

DO NOT carry a loaded gun with a live round in the chamber while walking, or climbing or anywhere you might slip and fall, dropping the gun. A gun that is dropped, bumped or jarred with a live round in the chamber might accidentally discharge even with the safety on causing injury to you or someone else. Always check the gun yourself!

## **WARNING**

NEVER point a gun at anything you do not intend to shoot. Always keep your gun pointed in a SAFE direction in case of accidental discharge. This is especially important when loading or unloading the gun. Always control the direction of the firearm.

## **WARNING**

ALWAYS check the barrel to insure that it is free of obstructions before loading and firing the firearm. If you experience a light recoil or “off” sound CHECK THE BARREL FOR OBSTRUCTIONS. Keep barrel, chamber and all moving parts free of rust. Rust or other obstructions can cause excessive pressures, resulting in serious injury to your gun, yourself and others. A rusted barrel can be replaced by Cobra Enterprises of Utah, Inc. (801)908-8300.

## **WARNING**

NEVER shoot at a hard flat surface or at the surface of water to avoid a ricochet and possible serious injury to yourself or a bystander. DO NOT fire randomly into the sky.

## **WARNING**

ALWAYS store guns unloaded in a clean, dry place and out of reach of children and separated from ammunition. Safe storage of your firearm is an important responsibility that every gun owner MUST take seriously to protect children and others from unauthorized use. Never allow a firearm to be used by anyone who does not understand its safe operation and who has not read these firearm safety rules.

## **WARNING**

NEVER alter any part of your gun. Use ONLY Cobra Enterprises of Utah replacement parts.

## **WARNING**

ALWAYS have adequate ventilation at all times. Discharging firearms in poorly ventilated areas, cleaning firearms or handling ammunition may result in exposure to lead, a substance known to cause birth defects, reproduction harm and other serious injury. Wash hands thoroughly after exposure or prior to eating and/or drinking. Read the warning labels for all ammunition and cleaning products for proper handling and use.

## **WARNING**

The safety and instruction manual should always accompany this firearm and be transferred with it upon change of ownership or user. A copy of the safety and instruction manual is available free from Cobra Enterprises of Utah (801)908-8300 email: [info@cobrapistols.net](mailto:info@cobrapistols.net)

## **WARNING**

USE ONLY Factory loaded ammunition for which the gun is chambered as indicated on the barrel to prevent excessive pressure and possible serious injury to yourself or others around you. NEVER use non-standard, reloaded, or hand loaded ammunition that has not been subjected to internal ballistic pressure testing.

## **WARNING**

DO NOT rely on mechanical features only. It is YOUR responsibility to ensure your safe gun-handling habits and ensure the safe use of your firearms.

## **WARNING**

It is a gun owners responsibility to be sure that they are in compliance with all applicable laws and ordinances regarding the use of their firearm.

## **WARNING**

Never place your finger on or around the trigger area unless you intend to shoot. Keep area free of all objects.

## **WARNING**

DO NOT use drugs or alcohol anytime while handling a firearm. DO NOT use any firearm while you are taking any medications that impair your physical or mental abilities.

## **WARNING**

The safe handling and storage of any firearm is the GUN OWNERS responsibility. Guns are very dangerous and can cause serious injury or death if they are handled or used inappropriately. You, as a gun owner, are responsible for your firearm at all times.

**Firearm safety and security are YOUR responsibility.**

## **WARNING**

NEVER disassemble your firearm beyond the procedures outlined in this manual. Serious injury or death can occur if your gun is not reassembled correctly.

## **WARNING**

NEVER adjust or change (in any way) the internal components of your firearm. Adjustments or changes made to your firearm can affect the safety and reliability of your gun, as well as, your warranty.

## **WARNING**

Never use any replacement parts except for parts purchased from Cobra Enterprises of Utah, Inc. Never permit any changes or alterations to your gun unless performed by a qualified gunsmith or by Cobra Enterprises of Utah's Repair Department.



## **WARNING**

Failure to follow all of these basic safety rules may result in severe personal injury or DEATH to you or others. The safe use of a firearm is your personal responsibility. The most important safety device when it comes to the use of your firearm is YOU. Cobra Enterprises of Utah will not be responsible for any personal injury, death or property damage that results from disregarding of these safety instructions and warnings.

Cobra Enterprises of Utah will not be responsible for any personal injury, death or property damage that result from improper or careless handling of this firearm.

Cobra Enterprises of Utah will not be responsible for any personal injury, death or property damage that result from the criminal or negligent use of this firearm.

Cobra Enterprises of Utah will not be responsible for any personal injury, death or property damage that result from the use of non-standard, defective, improper or reloaded ammunition.

Cobra Enterprises of Utah will not be responsible for any personal injury, death or property damage that result from improper or negligent modifications or repairs to the firearm.

## **WARNING**

Always use the lock provided by Cobra Enterprises to secure your firearm. Read and follow the instructions for your gun lock. NEVER assume that the use of the gun lock alone is sufficient to safely secure your firearm. ALWAYS be absolutely certain that your gun is stored safely and securely. Ammunition should always be stored separately from your firearm.

# AMMUNITION

## WARNING

DO NOT use ammunitions not specifically designed for use in your firearm. Using an incorrect type or caliber of ammunition may cause failure to fire or generate excessive pressure which can damage or even rupture your firearm, causing personal injury, death or property damage. Locate the caliber designation marked on the barrel of your firearm. This indicates the correct ammunition that must be used in this firearm. It is your responsibility to select the ammunition that meets industry standards and is the correct caliber and type for this firearm. The wrong type of ammunition may exceed the capabilities of this firearm and can rupture or damage your firearm.

There are other ammunitions that may fit into your chamber. Firing ammunition not specified on your gun may exceed the capabilities of this firearm and can rupture or damage your firearm. Always inspect your ammunition. NEVER use damaged, dirty or corroded cartridges, these can lead to a burst cartridge which may cause damage to the firearm and personal injury or death. Use only commercially manufactured ammunition with internal ballistic pressures which are in strict accordance with the specifications of the Sporting Arms & Ammunition Manufacturers Institute (SAAMI). If you have questions contact your ammunition supplier for verification.

## **Safety**

- The “Patriot” is a double action only pistol utilizing a firing pin blocking mechanism. The firing pin block stops the firing pin, which prevents movement of the firing pin unless the trigger is pulled.
- Squeezing the trigger moves the firing pin rearward, disengaging the firing pin block, allowing the firing pin to move forward and discharge the pistol.

## **Ammunition**

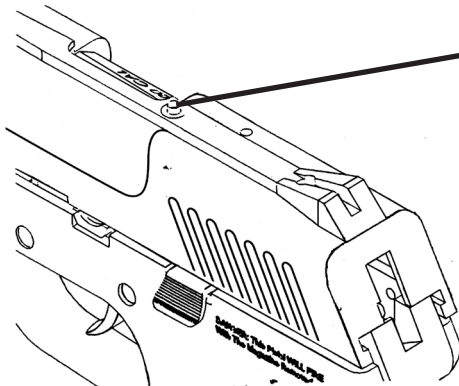
- For best shooting and function we recommend Federal American Eagle ammunition on all Cobra products.
- Use only original factory manufactured ammunition.
- The use of hand loaded, reloaded, +P or other non-standard ammunition voids all warranties. \*DO NOT USE “HOT” AMMUNITION.
- Feeding problems may occur using hollow point ammunition. Its use is not recommended.

**Wear shooting glasses and ear protection at all times.**

## Patriot 9 or Patriot 380 only

The Patriot 9 and the Patriot 380 are both equipped with a load indicator, which is visible when a round is chambered. (see detail)

### DETAIL OF LOAD INDICATOR



LOAD INDICATOR POPS UP APROX. .060  
WHEN A ROUND IS IN THE CHAMBER.  
EASY TO SEE OR FEEL IN LOW LIGHT

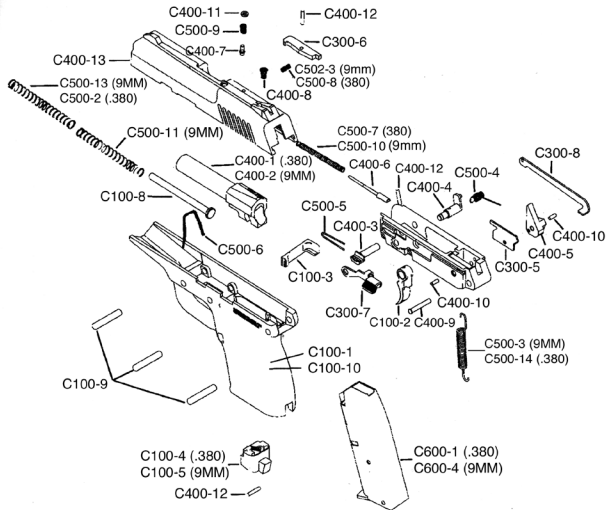
## **Cleaning**

*Follow this maintenance procedure to ensure that your pistol functions properly.*

After firing your Cobra pistol, remove magazine and check chamber to ensure that all ammunition is removed from pistol. After following the **Disassembly Instructions** clean the barrel bore with a premium quality solvent, after removing solvent and bore brush wipe the bore clean with a bore patch. Remove all powder and primer deposits from around the breech of the barrel and chamber, clean all moving parts with solvent and then coat lightly with rust preventive oil.

NOTE: only a light application of oil is needed to provide lubrication of moving parts and to prevent rust. The magazine should also be disassembled and thoroughly cleaned.

# Patriot 9 or Patriot 380 Schematic



## Patriot 9 or Patriot 380 Parts List

Order Online at [www.cobrapistols.net](http://www.cobrapistols.net) or call 801/908-8300

Name	Part #		Name	Part #	
Trigger	C100-2	3.40	Load Indicator	C400-7	2.55
Mag Release	C100-3	3.40	Firing Pin Screw	C400-8	2.55
.380 Grip	C100-1	8.50	Hammer Pin	C400-9	1.70
.380 Main Spring Rtr	C100-4	3.40	9mm Main Spring	C500-3	3.40
9mm Main Spring Rtr	C100-5	3.40	Firing Pin spring-Pat 9	C500-10	1.70
Guide Pin	C100-8	2.55	Firing Pin spring-Pat380	C500-7	1.70
Assembly Pin	C100-9	1.70	9mm Small Recoil Spring	C500-11	1.70
9mm Grip	C100-10	8.50	.380 Main Spring	C500-14	3.40
Slide Assy- Polished SS	C400-13PS	169.90	.380 Recoil Spring	C500-2	3.40
Slide Assy- Brushed SS	C400-13S	169.90	Trigger Return Spring	C500-4	2.55
Slide Assy- Black SS	C400-13B	169.90	Retainer Spring	C500-5	1.70
Ejector	C300-5	2.55	Mag Catch Spring	C500-6	2.55
Extractor	C300-6	5.10	Extractor Spring- Patriot 9	C502-3	1.70
Slide Stop	C300-7	5.95	Extractor Spring-Patriot 380	C500-8	1.70
Trigger Bar	C300-8	5.10	Load Indicator Spring	C500-9	1.70
.380 Barrel	C400-1	33.15	9mm Recoil Spring	C500-13	1.70
Pin-Hammer Spring & Ejector	C400-10	1.70	.380 Magazine	C600-1	20.00
Load Indicator Washer	C400-11	1.70	9mm Magazine	C600-4	20.00
Pin Extr, Trigg& Main Spr	C400-12	1.70	Holster	C800-25	19.60
9mm Barrel	C400-2	33.15	Blue plastic case	C700-20	15.00
Retainer Pin	C400-3	5.95	Gun cable lock	C703-2	5.00
Cam	C400-4	6.80	Snug-Fit Case	C700-29	29.99
Hammer	C400-5	11.05	Prices subject to change		
Manual	C701-1	0	Shipping & handling \$5.00 per order.		14
Firing Pin	C400-6	5.10	Utah residents please add 6.8% sales tax		

## **Disassembly and Reassembly Patriot 9 or Patriot 380 only**

*DISASSEMBLY:* Unload your pistol. Pull the slide back and push up on the slide stop until slide is locked open. Using the rim of the an empty 9mm case, pull the retainer pin from the pistol. Push the barrel back. While holding slide, release the slide stop; allow the slide to slowly move forward off the frame. Remove recoil spring and barrel. No further disassembly is recommended. Do not rotate firing pin screw, it is factory adjusted.

*ASSEMBLY:* Make sure the barrel and recoil spring are well centered when putting them back in the slide. Push the slide onto the frame and push up on the slide stop until slide is locked open. Allow barrel to fall completely forward. Look into the retainer pinhole and align that hole with the slot in the barrel. Insert the retainer pin and push the pin through until it engages with the spring. Work slide a few times to check the action. *DO NOT DRY FIRE* the Patriot 9, the Patriot 380 or any pistol.



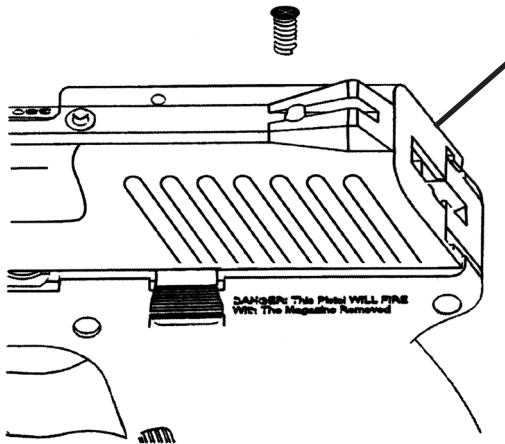
## **Patriot 9 or Patriot 380 only**

*LOADING THE PISTOL:* After loading 10 rounds in the magazine, hold the pistol in one hand with the muzzle pointing in a safe direction and with your finger off the trigger and outside the trigger guard, insert the loaded magazine into the grip until it is locked in place. Check to make sure magazine is secure. Pull slide back and release, if the slide is already back, press the slide stop down and allow slide to carry fully forward. This procedure places the first round into the chamber and the pistol is ready to fire. *DANGER: Keep hands from the muzzle end at all times. DO NOT carry or store with live round in the chamber until you are ready to shoot.* Load indicator will be in the up position when loaded.

*UNLOADING WITHOUT FIRING:* Always point your pistol in a safe direction, Before attempting to unload your pistol, push magazine release until magazine can be removed from pistol. After magazine has been removed, pull slide back to extract round from the chamber. Keep fingers away from trigger and muzzle. Visually inspect the chamber to make sure it is empty.

## Patriot 9 or Patriot 380 Only

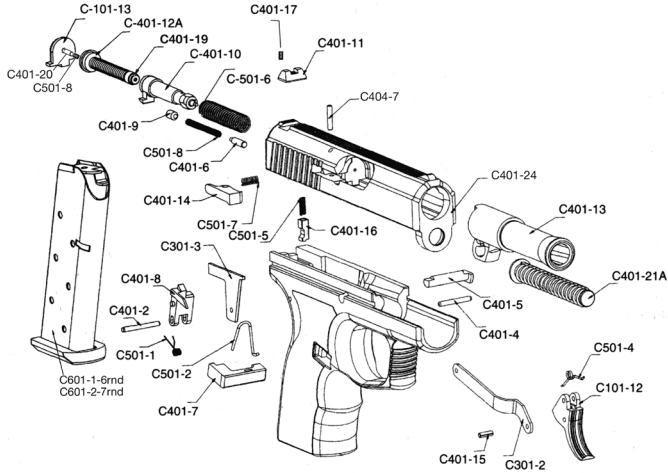
### Removal and Replacement of Firing Pin



**DANGER:** DO NOT FACE THIS END.  
POINT THIS END AGAINST A STOP  
WHEN REMOVING FIRING PIN.

**Warning:** Firing Pin is under spring pressure. Do not point at face or in any direction that could injure you or anyone in the area. Face back of slide away from you against a stop while disassembling.

# Patriot 45 Schematic



## Patriot 45 Parts List

Order Online at [www.cobrapistols.net](http://www.cobrapistols.net) or call 801/908-8300

Name	Part #		Name	Part #	
Barrel	C401-13	63.75	Trigger Return Spring	C501-4	1.70
Extractor	C401-14	25.50	Trigger Bar	C301-2	4.25
Extractor Spring	C501-7	1.70	Actuation Arm	C401-8	17.00
Extractor Pin	C404-7	1.70	Actuation Arm Spring	C501-1	1.70
Firing Pin	C401-10	25.50	Actuation Pin	C401-2	1.70
Firing Pin Block	C401-16	5.10	Ejector	C301-3	8.50
Block Plunger	C401-6	1.70	Plunger Block Screw	C401-9	1.70
Firing Pin Block Return Spring	C501-5	1.70	Trigger Pin	C401-4	1.70
Recoil Rod Assembly	C401-21A	15.00	Rear Sight	C401-11	10.20
Rear Cover	C101-13	1.70	Rear Sight Screw	C401-17	1.70
Take Down & Block Plung. Spring	C501-8	1.70	Magazine- 6 Round	C601-1	24.00
Magazine Catch & Release	C401-7	5.10	Magazine- 7 round	C601-2	24.00
Magazine Catch & Release Spring	C501-2	1.70	Holster	C800-25	19.60
Retainer Pin	C401-5	5.95	Blue plastic lockable		
Trigger	C101-12	3.40	lined case	C700-20	15.00
Firing Pin Return Spring	C501-6	1.70	Gun cable lock	C703-2	5.00
Striker Rod Assembly	C401-12A	13.60	Instruction manual	C701-1	0
Rear Cover Plunger	C401-20	2.55	Snug fit case	C700-29	24.99
Trigger Bar Pin	C401-15	1.70			
Slide Assy- Polished SS	C401-24PS	195.50			
Slide Assy- Brushed SS	C401-24S	195.50			
Slide Assy- Black SS	C401-24B	195.50			

Prices subject to change

Shipping & handling \$5.00 per order.

Utah residents please add 6.8% sales tax

## **Patriot 45 only Disassembly**

- Always make certain pistol is unloaded before field stripping.
- Remove the Magazine, clear the Chamber by manually retracting the slide all the way to the rear.
- Visually inspect the Barrel Chamber to be sure it is empty.
- Grasp the Slide, pull to the rear approximately 1/4" to align Disassembly Notch with the Retainer Pin (C401-5).
- Using a blunt tool push the Retainer Pin (C401-5) out of the Frame (Right to Left) and remove completely.
- Pull Trigger all the way to the rear and hold.
- While holding the Trigger back, gently pull the slide forward until it stops, approximately 3/4".
- Gently continue forward pressure on the slide while releasing the trigger. Releasing both at the same time.
- The entire slide assembly will glide forward off the frame.

## **Patriot 45 only Disassembly** *(continued)*

### Barrel Assembly Removal

- While holding the Slide assembly upside down, lift the rear portion of the Recoil Rod assembly (C401-21A) past the notch in the Barrel Lug and remove.
- To remove the barrel, lift up on the rear position, pulling clear of the slide.

### Striker Assembly Removal

- Using a blunt punch, 3/32" diameter or smaller, insert punch through the hole in the Rear Cover (C101-13)  
to depress the Rear Cover Plunger (C401-20)
- While holding the Plunger down, ease the Rear Cover up and out of the Slide.
- Retain control of the Striker Rod Assembly while the Rear Cover clears the slide, (Reminder, the assembly is spring loaded).
- The Striker Rod assembly, may now be completely removed from the Slide.

### CAUTION:

- Do NOT attempt to disassemble the Striker Rod assembly.
- No further disassembly is recommended for routine cleaning and maintenance except by factory-trained technician.

## **Patriot 45 only Assembly**

- Place Firing Pin Return Spring (C501-6) over Firing Pin, insert Striker Rod Assembly (C401-12A) into rear of Firing Pin.
- Slip entire assembly into rear of Slide.
- Depress assembly and hold while sliding Rear Cover (C101-13) partially into position.
- Maintain control of the entire assembly, use a small blunt tool to depress and hold the Rear Cover Plunger (C401-20).
- Slide the Rear Cover into position.  
When installed correctly, the Plunger will snap into the hole located in the Rear Cover.

### **Barrel Assembly**

- Hold slide upside down, install the Barrel (C401-13) (muzzle end first).
- Press down until Barrel locks into place.
- Grasp Recoil Rod assembly (C401-21A) and place the open end into the Barrel Lug (locking position).
- Slightly compress the Spring assembly into the Notch on the Barrel Lug (locking position).

**The Slide assembly can now be installed on the Frame.**

- Pull the Slide back until the Disassembly Notch lines up with the Retainer Pin (C401-5) hole in the Frame.
- Insert the Retainer Pin completely into the Frame (Left to Right).
- Slowly release the Slide forward to its original position.

This completes the assembly. If you have any questions, please contact us at 801-908-8300, or email [tech@cobrapistols.net](mailto:tech@cobrapistols.net)

## **WARNING**

**Before shipping any firearm, be absolutely sure that the magazine and the chamber are unloaded**

### **Service**

Should your pistol require service, we recommend that your pistol be returned directly to the factory service department. Failure to use the factory service could result in voiding your warranty. After service each Cobra pistol is inspected and test fired.

Except for guns still under warranty, all work will bear a minimum charge of \$15.00 plus \$20.00 S&H charge. All pistols returned are to be sent prepaid. All collect shipments will be refused.

Please comply with the following suggestions for prompt service:

1. Enclose a letter of instruction on your problem.
2. Your name and return address, with telephone number. (Physical address only - No P.O. Boxes)
3. Bill of sale (for warranty work).
3. Handgun must be shipped via UPS or Federal Express. Persons who do not hold a federal firearms license are prohibited by federal law from shipping a handgun by U.S. Postal Service.

If you have questions with regard to the performance of your pistol, call or write our service department. 801-908-8300. Cobra Enterprises of Utah, Inc. 1960 S. Milestone Dr. Suite F Salt Lake City, UT 84104 or email [tech@cobrapistols.net](mailto:tech@cobrapistols.net).



## **Warranty Information**

Cobra Enterprises of Utah, Inc. acknowledges its obligations under implied warranty legislation, with respect to the sale of consumer goods, that may be enforced in jurisdictions where its products are sold. Due to differences in the extent and interpretation of such statutes, and also on the basis of the Magnuson-Moss warranty act of the United States of America, Cobra Enterprises of Utah, Inc. has elected not to offer any written or express warranty. Cobra Enterprises of Utah, Inc. will provide all necessary service for its Patriot pistols free of charge, to the original purchaser only. Be sure to retain your sales slip as proof of purchase.

## **CONTACT & SHIPPING INFORMATION**

Customer service: Phone (801)908-8300 Fax (801)908-8301

email: [info@cobrapistols.net](mailto:info@cobrapistols.net)

Technical service: Phone (801)908-8300 Fax (801)908-8301

email: [tech@cobrapistols.net](mailto:tech@cobrapistols.net)

Warranty Return Address:

Cobra Enterprises of Utah, Inc.

Attn: Repair Department

1960 South Milestone Drive, Suite F

Salt Lake City, UT 84104

[www.cobrapistols.net](http://www.cobrapistols.net)

25 BEFORE RETURNING FOR WARRANTY WORK WE RECOMMEND CALLING OR EMAILING OUR  
TECHNICAL DEPARTMENT FIRST

# **WARNING**

Children are attracted to and can operate firearms that can cause severe injuries or death. Prevent child access by always keeping guns locked away and unloaded when not in use. If you keep a loaded firearm where a child obtains and improperly uses it, you may be fined or sent to prison.

**WARNING**

# **ADVERTENCIA**

A los niños los atraen las armas de fuego y las pueden hacer funcionar. Ellos pueden causarse lesiones graves y la muerte. Evite que los niños tengan acceso a las armas de fuego guardándolas siempre con llave y descargadas cuando no las esté utilizando. Si usted tiene un arma de fuego cargada en un lugar en que un niño tiene acceso a ella y la usa indebidamente, le pueden dar una multa o enviarlo a la cárcel.

## Youth Handgun Safety Act Notice

- (1) The misuse of handguns is a leading contributor to juvenile violence and fatalities.
- (2) Safely storing and securing firearms away from children will help prevent the unlawful possession of handguns by juveniles, stop accidents, and save lives.
- (3) Federal Law prohibits, except in certain limited circumstances, anyone under 18 years of age from knowingly possessing a handgun, or any person from selling, delivering, or otherwise transferring a handgun to a person under 18.
- (4) A knowing violation of the prohibition against selling, delivering, or otherwise transferring a handgun to a person under the age of 18 is, under certain circumstances, punishable by up to 10 years in prison.

### Federal Law

The Gun Control Act of 1968, 18 U.S.C. Chapter 44, provides in pertinent part as follows:

#### **18 U.S.C. 922(x)**

(x) (1) It shall be unlawful for a person to sell, deliver, or otherwise transfer to a person who the transferor knows or has a reasonable cause to believe is a juvenile –

- (A) a handgun; or
- (B) ammunition that is suitable for use only in a handgun.

(2) It shall be unlawful for any person who is a juvenile to knowingly possess---

(A) a handgun; or

(B) ammunition that is suitable for use only in a handgun.

(3) This subsection does not apply to –

(A) a temporary transfer of a handgun or ammunition to a juvenile or to the possession or use of a handgun or ammunition by a juvenile if the handgun and ammunition are possessed and used by the juvenile-

(i) in the course of employment, in the course of ranching or farming related activities at the residence of the juvenile (or on property used for ranching or farming at which the juvenile, with permission of the property owner or lessee, is performing activities related to the operation of the farm or ranch), target practice, hunting, or a course of instruction in the safe and lawful use of a handgun;

(ii) with the prior written consent of the juvenile's parent or guardian who is not prohibited by Federal, State, or local law from possessing a fire arm, except---

(I) during transportation by the juvenile of an unloaded handgun in a locked container directly from the place of transfer to a place at which an activity described in clause (i) is to take place and transportation by the juvenile of that handgun, unloaded and in a locked container, directly from the place at which such an activity took place to the transferor; or

(II) with respect to ranching or farming activities as described in clause (i), a juvenile may possess and use a handgun or ammunition with the prior written approval of the juvenile's parent or legal guardian and at the direction of an adult who is not prohibited by Federal, State, or local law from possessing a firearm;

(iii) The juvenile has the prior written consent in the juvenile's possession at all times when a handgun is in the possession of the juvenile; and

(iv) In accordance with State and local law;

(B) a juvenile who is a member of the Armed Forces of the United States or the National Guard who possesses or is armed with a handgun in the line of duty;

(C) a transfer by inheritance of title (but not possession) of a handgun or ammunition to a juvenile; or

(D) the possession of a handgun or ammunition by a juvenile taken in defense of the juvenile or other persons against an intruder into the residence of the juvenile or a residence in which the juvenile is an invited guest.

(4) A handgun or ammunition, the possession of which is transferred to a juvenile in circumstances in which the transferor is not in violation of this subsection shall not be subject to permanent confiscation by the Government if its possession by the juvenile subsequently becomes unlawful because of the conduct of the juvenile, but shall be returned to the lawful owner when such handgun or ammunition is no longer required by the Government for the purposes of investigation or prosecution.

(5) For purposes of this subsection, the term “juvenile” means a person who is less than 18 years of age.

(6) (A) In a prosecution of a violation of this subsection, the court shall require the presence of a juvenile defendant’s parent or legal guardian at all proceedings.

(B) The court may use the contempt power to enforce subparagraph (A).

(C) The court may excuse attendance of a parent or legal guardian of a juvenile defendant at a proceeding in a prosecution of a violation of this subsection for good cause shown.

### **18 U.S.C 924(a) (6)**

(6) (A) (i) A juvenile who violates section 922(x) shall be fined under this title, imprisoned not more than 1 year, or both, except that a juvenile described in clause (ii) shall be sentenced to probation on appropriate conditions and shall not be incarcerated unless the juvenile fails to comply with a condition of probation.

(ii) A juvenile is described in this clause if ----

(I) the offense of which the juvenile is charged is possession of a handgun or ammunition in violation of section 922 (x) (2); and

(II) The Juvenile has not been convicted in any court of an offense (including an offense under section 922(x) or a similar State law, but not including any other offense consisting of conduct that if engaged in by an adult would not constitute an offense) or adjudicated as



a juvenile delinquent for conduct that if engaged in by an adult would constitute an offense.

(B) A person other than a juvenile who knowingly violates section 922(x)-

(i) shall be fined under this title, imprisoned not more than 1 year, or both; and

(ii) if the person sold, delivered, or otherwise transferred a handgun or ammunition to a juvenile knowing or having reasonable cause to know that the juvenile intended to carry or otherwise possess or discharge or otherwise use the handgun or ammunition in the commission or a crime of violence, shall be fined under this title, imprisoned not more than 10 years, or both.

If you have any questions contact:

Bureau of Alcohol, Tobacco, Firearms and Explosives

650 Massachusetts Avenue, NW

Washington, DC 20226

Phone: (202) 927-7770 or Visit website at [www.atf.gov](http://www.atf.gov)



## **FIREARM RECORD**

Serial Number \_\_\_\_\_ Model \_\_\_\_\_ Caliber \_\_\_\_\_

Date Purchased \_\_\_\_\_

Purchased From \_\_\_\_\_

# **DO NOT DRY FIRE**

DO NOT STORE, CARRY OR HANDLE THIS, OR  
ANY OTHER FIREARM WITH A LIVE ROUND IN  
THE CHAMBER.

READ AND UNDERSTAND THE INSTRUCTIONS  
BEFORE USING THIS FIREARM.

**DO NOT DRY FIRE**



Cobra Enterprises of Utah, Inc  
Proudly 100% Made in the U.S.A.

**1960 S. MILESTONE DRIVE, SUITE F  
SALT LAKE CITY, UT 84104  
801-908-8300**

**[www.cobrapistols.net](http://www.cobrapistols.net)**

11//09